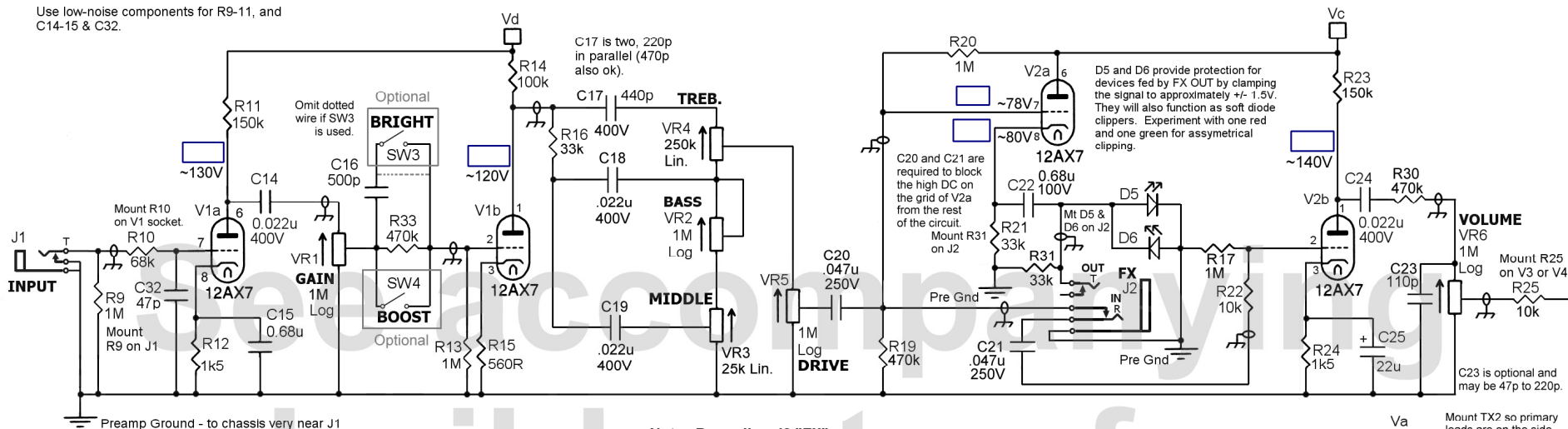


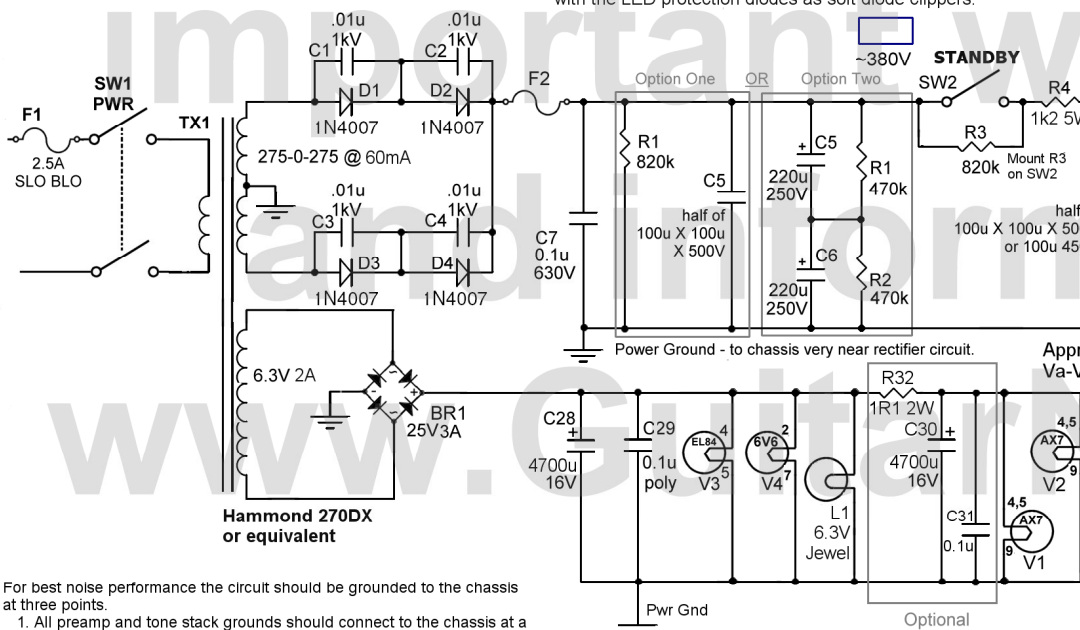
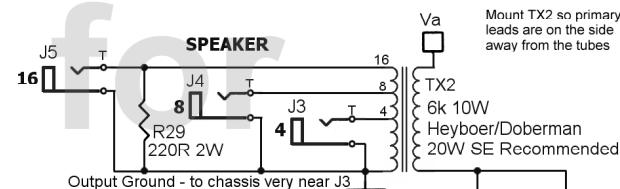
Use low-noise components for R9-11, and C14-15 & C32.



Notes Regarding J2 "FX"

- 1) The "send" signal is on the tip terminal, the "return" signal is on the ring terminal.
- 2) A TRS (stereo) plug wired tip->send, ring->return gives basic FX loop behavior.
- 3) A mono plug will short the return to ground so the amp may be used as a preamp. (Because of the grounded input to the power amp and the protection resistor on the output transformer the amp may be used without a speaker in this configuration.)
- 4) A TRS (stereo) plug with only the ring (return) terminal connected allows direct input to the power amp from an external line-level source.
- 5) A TRS (stereo) plug with the tip and ring terminals connected functions "normally" but with the LED protection diodes as soft diode clippers.

Indicates shielded wire. Attach shield to ground at one end only.



Approximate voltages shown were measured with an EL84 power tube. Va-Vd measured about 20 volts lower with a 6V6 power tube.

R28 is a compromise that biases V4 a little cold (13W). R28 could be lowered to around 300 or 310 ohms for better "lead" tone from the 6V6 but this will put the dissipation of R4 very close to its rated 5 watts and will further lower voltages throughout the amp resulting in lower drive to the 6V6 power tube.

This amp sounds great using an EL84 for "lead" or a 6V6 for clean and lightly crunchy tones.

**USE ONE POWER TUBE!
EL84 or 6V6 but not both
at the same time!**

- For best noise performance the circuit should be grounded to the chassis at three points.
1. All preamp and tone stack grounds should connect to the chassis at a single point very near the input jack.
 2. All power supply and power amp grounds should connect to the chassis at a single point very near the HT rectifier circuit and power transformer secondary center tap.
 3. The output jacks and output transformer should attach to the chassis at a single point very near the output jacks.

Slightly reduces ripple to V1 & V2 and slightly reduces capacitive load and stress on the power transformer (because, if not used, then 10,000uf is recommended for C28).

All resistors 1/2W unless otherwise noted.

C11 removed.

Copyright © 2008 John S. Atchley

Atchley Amplification™

Model	Nickel Blues™
Revision	2008-09-20
Last Used	C31, D6, F2, J5, L1, R33, SW3, TX2, V4, VR6